

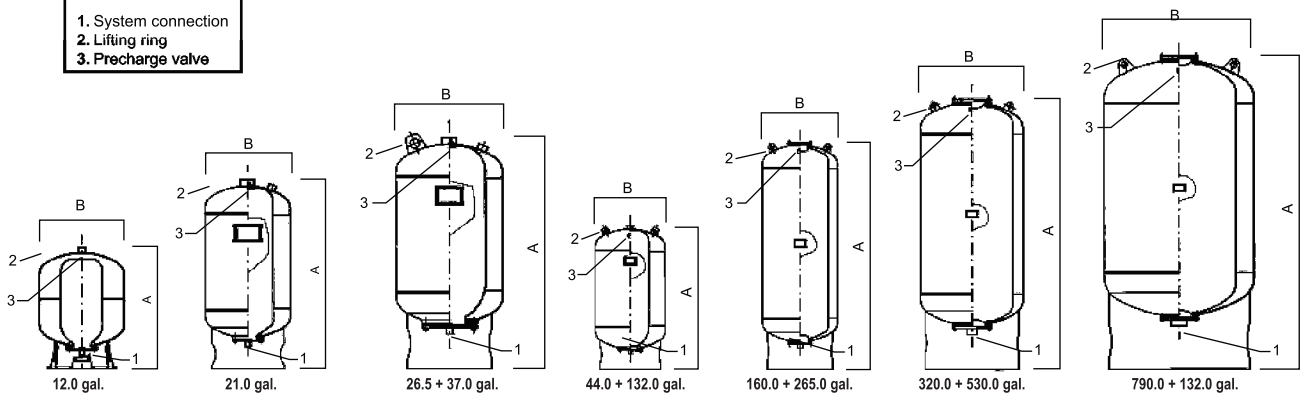
BACKSTOP® ALB Series THERMAL EXPANSION TANKS

Designed and constructed per ASME Code Section VIII
SUBMITTAL DATA SHEET

MODEL NUMBER	Capacity		B		A		NPT SYSTEM CONNECTION	APPR. WEIGHT	
	Gals	Liters	ins.	mm.	ins.	mm.		lbs.	Kg.
12-ACB8	2.0	8	10.6	270	10.2	259	1"	21	9.5
12-ACB19	5.0	19	10.6	270	19.3	490	1"	32	14.5
12-ACB30	8.0	30	15.8	400	15.3	389	1"	41	18.6
12-ACB45	12.0	45	15.8	400	22.4	569	1"	52	23.6
12-ACB80	21.0	80	15.8	400	34.9	886	1"	78	35.4
12-ACB100	26.5	100	19.7	500	37.3	947	1"	83	37.6
12-ACB140	37.0	140	19.7	500	43.3	1100	1"	114	51.7
12-ACB170	44.0	170	19.7	500	48.7	1,237	1 1/4"	160	72.6
12-ACB200	53.0	200	21.7	550	47.2	1,199	1 1/4"	170	77.1
12-ACB300	80.0	300	25.6	650	49.0	1,245	1 1/4"	215	97.5
12-ACB400	105.0	400	25.6	650	57.9	1,471	1 1/4"	248	112.5
12-ACB450	120.0	450	29.5	750	55.8	1,417	1 1/4"	283	128.4
12-ACB500	132.0	500	35.5	750	58.0	1,527	1 1/4"	341	154.7
12-ACB600	160.0	600	35.5	650	67.0	2,256	2"	391	177.4
12-ACB800	210.0	800	29.5	750	91.5	2,324	2"	531	240.9
12-ACB1000	265.0	1,000	31.5	800	95.5	2,426	2"	561	254.5
12-ACB1200	320.0	1,200	35.5	900	100.6	2,555	3"	960	435.4
12-ACB1400	370.0	1,400	37.5	950	102.4	2,601	3"	1,040	471.7
12-ACB1600	420.0	1,600	41.5	1,050	99.2	2,520	3"	1,183	536.6
12-ACB2000	530.0	2,000	43.5	1,105	113.5	2,883	3"	1,318	597.8
12-ACB3000	790.0	3,000	51.2	1,300	118.2	3,002	3"	1,865	845.9
12-ACB4000	1,060.0	4,000	61.0	1,550	123.0	3,124	3"	2,616	1,186.6
12-ACB5000	1,320.0	5,000	63.0	1,600	132.0	3,353	3"	2,892	1,311.8

ALL UNITS SUITABLE FOR HORIZONTAL INSTALLATION

- A. Total Height
B. Diameter
1. System connection
2. Lifting ring
3. Precharge valve



SPECIFICATIONS
Maximum working pressure 150 PSI (10.5 kg/cm ²)
Maximum operating temp. 240F (115C)

Tanks are built in accordance with ASME Section VIII, Division I.
Bladder contains FDA approved compounds and is suitable for domestic potable hot water applications.
Seamless one piece bladder for longer life.
Bladder is completely replaceable.
Acceptance volume is 90% of stated tank capacity.
Epoxy gray finish exterior.

Factory precharge
• ACB Series: 2-37 gal. 40 PSIG
• ACB Series: 44 gal and up 55 PSIG
System connection: Epoxy coated system connection
12-ACB-45 thru ACB-450 bottom connection
12-ACB-1400 thru ACB-5000 available with either top or bottom connection
12-ACB-45 thru ACB-5000: NPT Conn

Job Name
Location
Engineer
Contractor
Contractor P.O. Number

Sales representative		
Model number ordered	Qty:	
System operating temperature	Min.	max.
Date submitted		

Dimensional data and weights are approximate

3-1-2017



BACKSTOP® HCB Series HYDRONIC EXPANSION TANKS

Designed and constructed per ASME Code Section VIII
SUBMITTAL DATA SHEET

MODEL NUMBER	Capacity		B		A		NPT SYSTEM CONNECTION	APPR. WEIGHT	
	Gals	Liters	ins.	mm.	ins.	mm.		lbs.	Kg.
12-HCB8	2.0	8	10.6	270	10.2	259	1"	21	9.5
12-HCB19	5.0	19	10.6	270	19.3	490	1"	32	14.5
12-HCB30	8.0	30	15.8	400	15.3	389	1"	41	18.6
12-HCB45	12.0	45	15.8	400	22.4	569	1"	52	23.6
12-HCB80	21.0	80	15.8	400	34.9	886	1	78	35.4
12-HCB100	26.5	100	19.7	500	37.3	947	1	83	37.6
12-HCB140	37.0	140	19.7	500	43.3	1100	1	114	51.7
12-HCB170	44.0	170	19.7	500	48.7	1,237	1 ¼	160	72.6
12-HCB200	57.0	200	21.7	550	47.2	1,199	1 ¼	170	77.1
12-HCB300	80.0	300	25.6	650	49.0	1,245	1 ¼	215	97.5
12-HCB400	105.0	400	25.6	650	57.9	1,471	1 ¼	248	112.5
12-HCB450	120.0	450	29.5	750	55.8	1,417	1 ¼	283	128.4
12-HCB500	132.0	500	35.5	750	58.0	1,527	1 1/4"	341	154.7
12-HCB600	160.0	600	35.5	650	67.0	2,256	2	391	177.4
12-HCB800	210.0	800	29.5	750	91.5	2,324	2	531	240.9
12-HCB1000	265.0	1,000	31.5	800	95.5	2,426	2	561	254.5
12-HCB1200	320.0	1,200	35.5	900	100.6	2,555	2	960	435.4
12-HCB1400	370.0	1,400	37.5	950	102.4	2,601	2	1,040	471.7
12-HCB1600	420.0	1,600	41.5	1,050	99.2	2,520	2	1,183	536.6
12-HCB2000	530.0	2,000	43.5	1,105	113.5	2,883	2	1,318	597.8
12-HCB3000	790.0	3,000	51.2	1,300	118.2	3,002	3	1,865	845.9
12-HCB4000	1,060.0	4,000	61.0	1,550	123.0	3,124	3	2,616	1,186.6
12-HCB5000	1,320.0	5,000	63.0	1,600	132.0	3,353	3	2,892	1,311.8

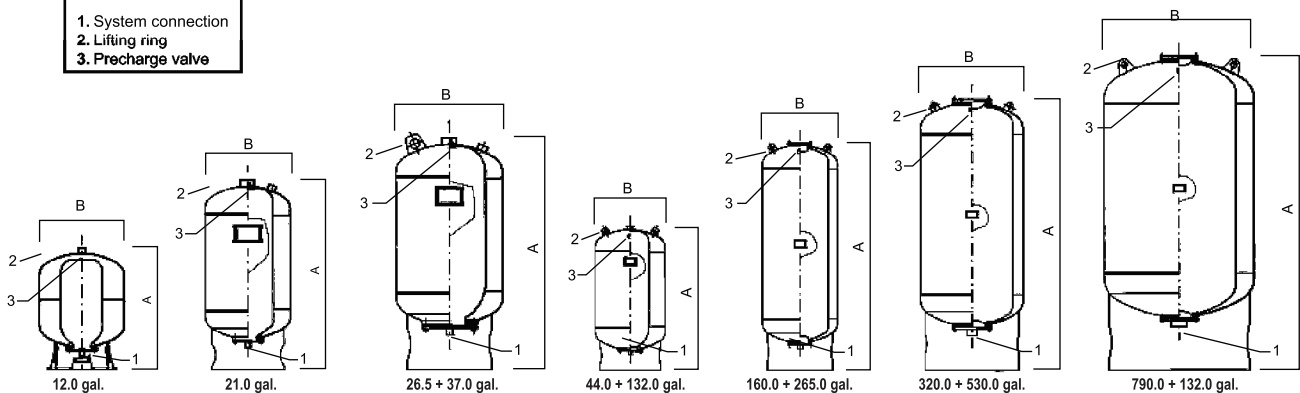
SPECIFICATIONS
Maximum working pressure 150 PSI (10.5 kg/cm ²)
Maximum operating temp. 240F (115C)

Tanks are built in accordance with ASME Section VIII, Division I.
Seamless one piece butyl bladder for longer life.
Acceptance volume is 90% of stated tank capacity.
Epoxy gray finish exterior.

Factory precharge 12 psig (.84 kgf/cm ²)
System connection: Malleable iron 12-HCB-45 thru HCB-450 bottom connection 12HCB-1400 thru HCB-5000 available with either top or bottom connection 12-HCB-45 thru HCB-5000: NPT Conn.

ALL UNITS SUITABLE FOR HORIZONTAL INSTALLATION

- A. Total Height
B. Diameter
1. System connection
 2. Lifting ring
 3. Precharge valve



Job Name
Location
Engineer
Contractor
Contractor P.O. Number

Sales representative		
Model number ordered	Qty:	
System operating temperature	Min.	max.
Date submitted		

Dimensional data and weights are approximate

3-1-2017

